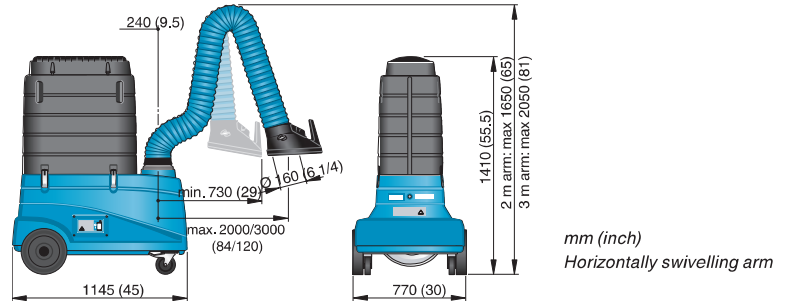


FilterCart Mobile Extraction/Filter Units

FilterCart Original

FilterCart Original mobile filter unit for light welding and extraction applications. FilterCart Original includes Extraction Arm Original with an integrated spotlight, which optimizes the user-friendly design. If a larger working range is needed, the 3 m (10 ft.) long arm is recommended.



Arm length m	Arm Ø, mm	Max. airflow, m ³ /h	Filter efficiency, %	Filter area, m ²	Voltage, V/ electrical plug	Power, kW	Frequency, Hz	Phase	Noise level, dB(A)	Weight, kg	Part no.
2	160	1050	99	35	230/EUR	0.75	50	1	73	73	12621245
2	160	1050	99	35	240/UK	0.75	50	1	73	73	12623245
2	160	1050	99	35	110/UK	0.75	50	1	73	73	12622245
3	160	1050	99	35	230/EUR	0.75	50	1	73	73	12621345
3	160	1050	99	35	240/UK	0.75	50	1	73	73	12623345
3	160	1050	99	35	110/UK	0.75	50	1	73	73	12622345

Accessories	Part no.
HEPA filter H13, 7.5 m ² high efficiency final filter, class H13.	12374016
Spark protection, for mounting in the hood. To reduce risk of fire.	10551335

Replacement filter	Part no.
35 m ² flame retardant pleated cellulose material. = 99% efficiency for welding fume. Measured according to the test procedures in EN 15012-1.	12374023

