

Vacuum Hose Reel 881 Ex

ATEX approved vacuum hose reel suitable for cleaning explosive dust.



The vacuum hose reel 881 Ex facilitates the handling of long and heavy vacuum hoses, and provides tidy and safe storage when they are not in use. Keeps hoses out of the way of forklifts and mobile workshop equipment. Separate suspension brackets make installation of the reel simple and safe. All reels are delivered without connection hose.

Approved for use in ATEX-zone 22 in accordance with ATEX 2014/34/EU Equipment group II, Category 3D.

Product marking: CE EX II 3D c T=40°C X

Requirement for ATEX conformity (X):

The micro-switch should be connected to an intrinsic safe circuit or be left unconnected.

- Suitable for cleaning explosive dust
- With built-in automatic damper
- Integrated micro-switch

Product name	Vacuum Hose Reel 881 Ex
Installation	[Indoor]
Suitable for combustible dust	True
Material recycling (%)	100
Connection hose length (m)	10
Type of hose	PE/C
Distribution hose length (m)	10
Diameter, connection hose (mm)	
Weight (kg)	26-28
Note	With PE/C hose



Vacuum Hose Reel 881 Ex

Image	Delivered with hose	Colour	Distribution hose diameter (mm)	Max working pressure (Mpa)	Max hose length	Model
	Yes	Blue	38	45		30805881*
	No	Blue			10	30805981
	Yes	Blue	50	45		30806081*
	Yes	Grey	38	45		30811081*

*With PE/C hose

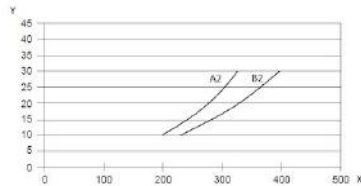
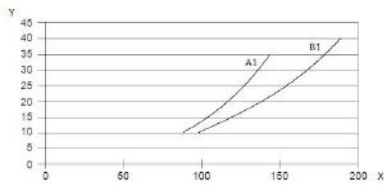
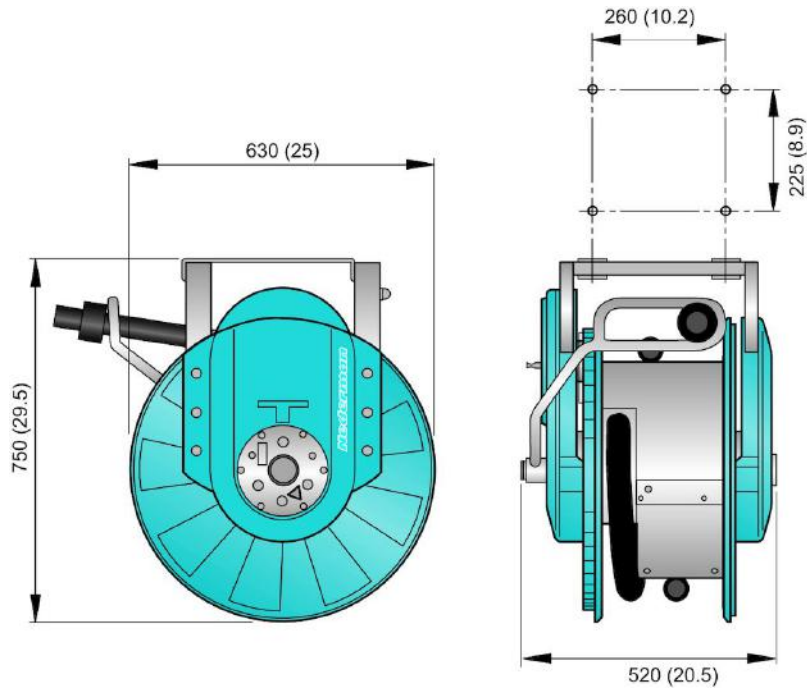
Hose type	Specification	Temperature range, °C	Hose fittings in free hose end, distribution hose	Hose fitting on free hose end, inlet hose	Hose connection on reel, distribution hose	Hose connection on reel, inlet hose
PEC	For cleaning applications Max vacuum 50 kPa Conductivity < 10 ⁶ Ohm	-40 Deg. C. - +60 Deg. C.				

Vacuum Hose Reel 881 Ex

Accessory		Part No
	Installation material for pipe connection Dia 100 mm.	30374390*
	Rebuilding kit to new micro switch	30375936

**Includes: branch coupler, joint sleeves, connecting hose P63, brackets 300 mm, pilot cable, connection box, straps and hose clips*

Vacuum Hose Reel 881 Ex



Y = Pressure drop (Pa)

X = Airflow (m³/h)

A1 = Hose 38 mm, coiled on reel

B1 = Hose 38 mm, fully uncoiled on floor

A2 = Hose 50 mm, coiled on reel

B2 = Hose 50 mm, fully uncoiled on floor