

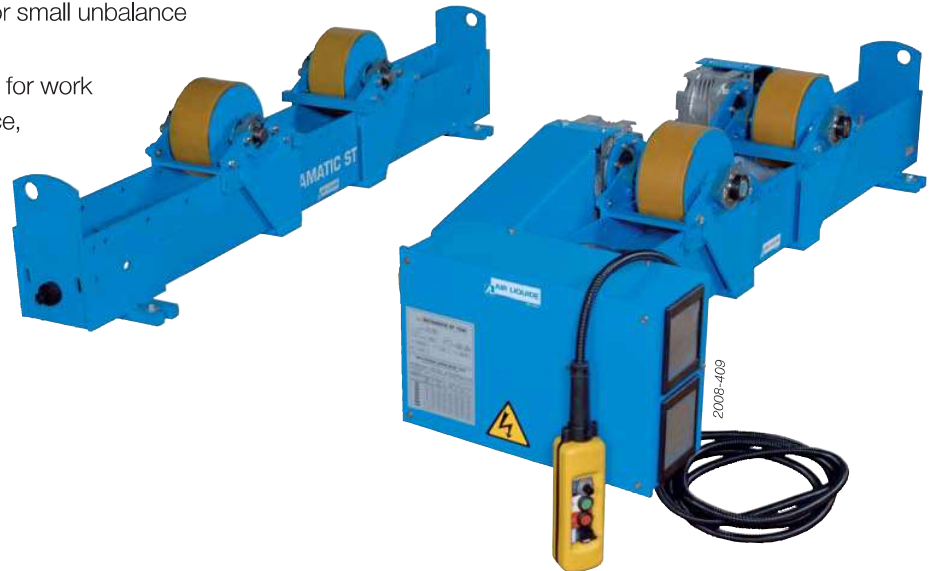
ROTAMATIC: single roller rotators

Medium-duty rotator: 2 tons to 30 tons

- single powered (one drive roller) for small unbalance work piece,
- double powered (two drive rollers) for work pieces having significant unbalance,
- roller-to-roller center distance adjusting by screw (except for ST 2: by step),
- remote pendant and kit auto on all versions.

Possible options:

- kit display,
- kit \pm 1% speed regulation,
- kit encoder 5000 pts,
- lorry and railway.



Technical specifications:

Designation		Load capacity (1 drive + 1 idler) kg	Load capacity per section kg	Shell diameter mm	Peripheral speed cm/min	Wheel dimension OD x width mm	Wheel material
ST 2	MT	2000	1000	30 to 2500	12 to 120	Ø 150 x 50	Polyurethane
	M						
	W						Polyamide
	F						
ST 6	M	6000	3000	300 to 3500	12 to 120	Ø 250 x 75	Polyurethane
	W						
	F						
ST 15	M	15000	7500	300 to 4000	12 to 120	Ø 250 x 110	Polyurethane
	W						
	F						
ST 30	W	30000	15000	350 to 4500	12 to 120	Ø 350 x 150	Polyurethane
	F						

Keys:

M = Single motorisation

F = Idler roller

W = Double motorisation

MT = Single motorisation with tube system



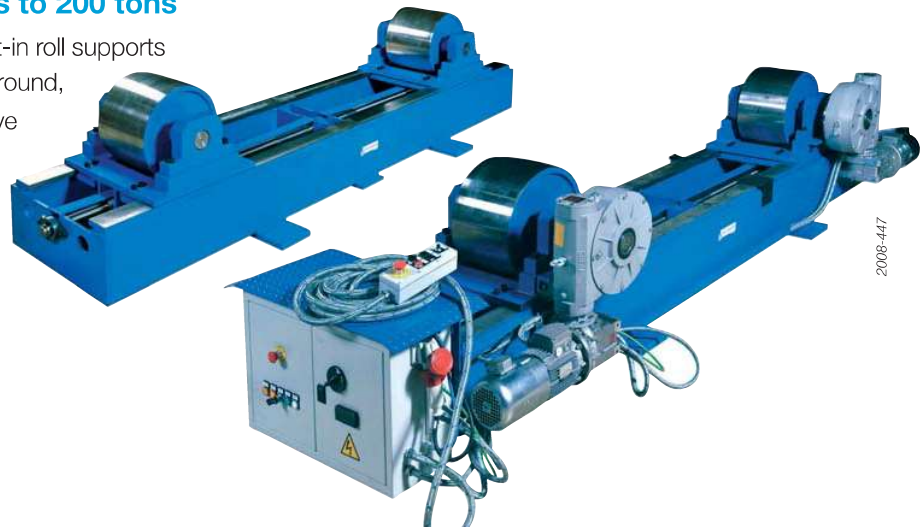
2041-004

Heavy-duty rotator: 42 tons to 200 tons

- special frame conception with built-in roll supports reduces welding height from the ground,
- machined bed on the idler and drive roller for perfect alignment,
- remote pendant, kit auto and display in standard on all versions.

Possible options:

- lorry and railway,
- screw adjusting or step adjusting.



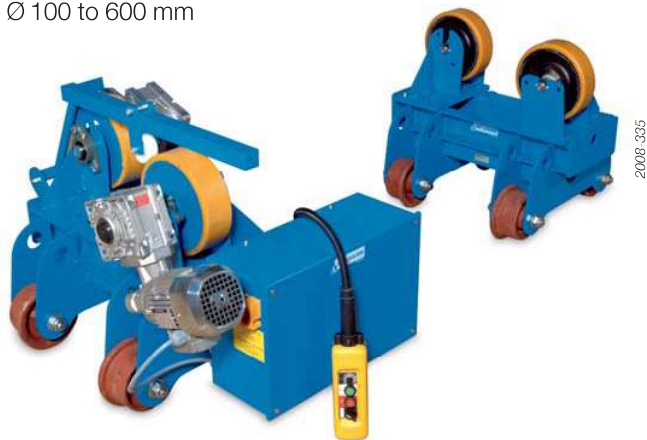
Technical specifications:

Designation	Load capacity (1 drive + 1 idler) kg	Load capacity per section kg	Shell diameter mm	Peripheral speed cm/min	Wheel dimension OD x width mm	Wheel material
LP42*	42000	21000	700 to 5000	10 to 100 or 9 to 180	Ø 400 x 200	Steel
					Ø 400 x 250	Polyurethane
LP55*	55000	27500	700 to 5000	10 to 100 or 9 to 180	Ø 400 x 250	Steel
					Ø 400 x 300	Polyurethane
LP70*	70000	35000	900 to 6000	10 to 100 or 8 to 160	Ø 460 x 250	Steel
					Ø 460 x 300	Polyurethane
LP100*	100000	50000	900 to 6000	10 to 100 or 8 to 160	Ø 450 x 250	Steel
					Ø 460 x 300	Polyurethane
LP160*	160000	80000	1200 to 6000	10 to 100 or 9 to 160	Ø 450 x 300	Steel
LP200*	200000	100000	1200 to 6000	10 to 100 or 10 to 160	Ø 500 x 300	Steel

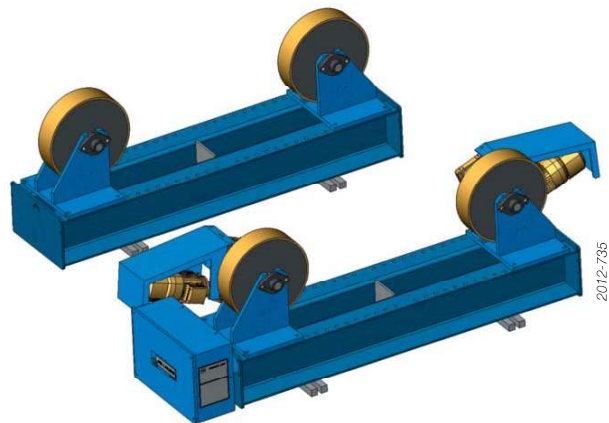
* Available in version **W** (Double motorisation) or **F** (Idler roller)

Special rotator

Small 6 tons rotator
Ø 100 to 600 mm



Special rotators with large diameter rollers for the rotation of the tank with stub nozzle.



Higher capacity rotators on request.

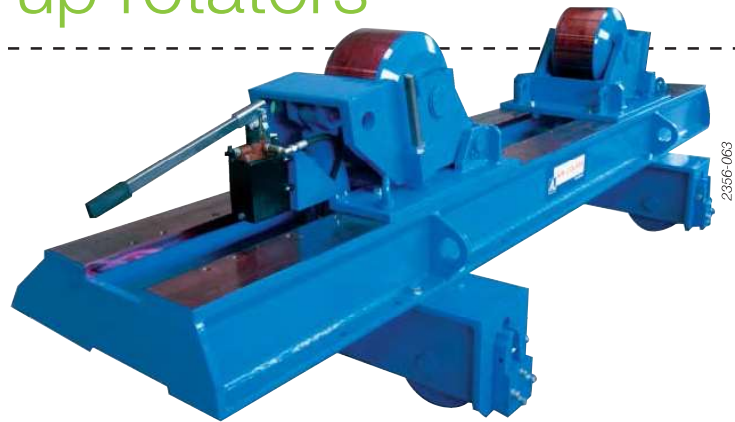
ROTAMATIC: fit-up rotators

Fit-up rotator: 30 tons to 200 tons

- in standard, the up and down movement is made by a manual hydraulic pump.

Possible options:

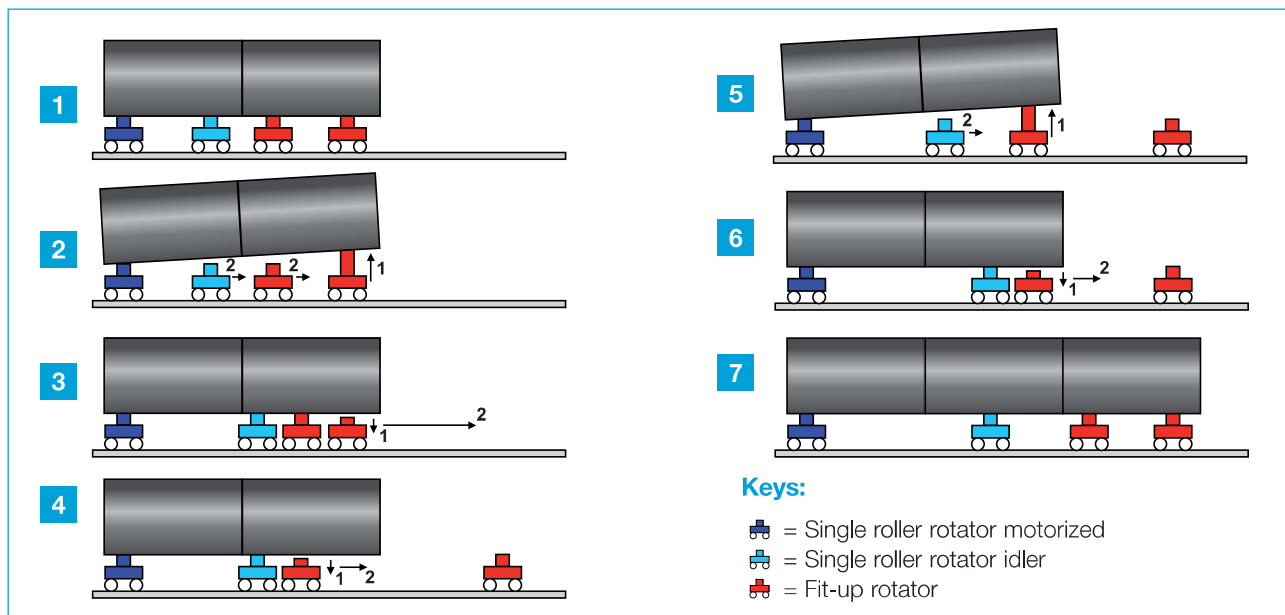
- automatic hydraulic pump (hydraulic central),
- lorry and railway.



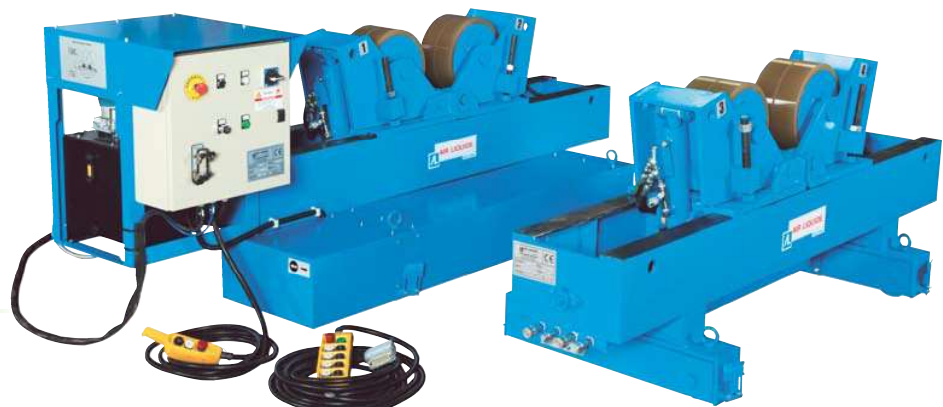
2056-063

Technical specifications:

Designation	Load capacity (2 fit-up) kg	Lifting capacity per section kg	Shell diameter mm	Wheel dimension OD x width mm	Wheel material	Wheels adjustment
TR30	30000	15000	700 to 4500	Ø 300 x 160	Polyurethane	Screw
TR42	42000	21000	700 to 5000	Ø 350 x 250	Polyurethane	Screw
TR55	55000	27500	700 to 5000	Ø 350 x 250	Polyurethane	Screw
TR70	70000	35000	900 to 6000	Ø 400 x 300	Polyurethane	Screw
TR100	100000	50000	900 to 6000	Ø 400 x 250	Steel	Step
TR160	160000	80000	1200 to 6000	Ø 450 x 250	Steel	Step
TR200	200000	100000	1200 to 6000	Ø 450 x 300	Steel	Step



Version with automatic hydraulic central:



2012-334

Higher capacity rotators on request.

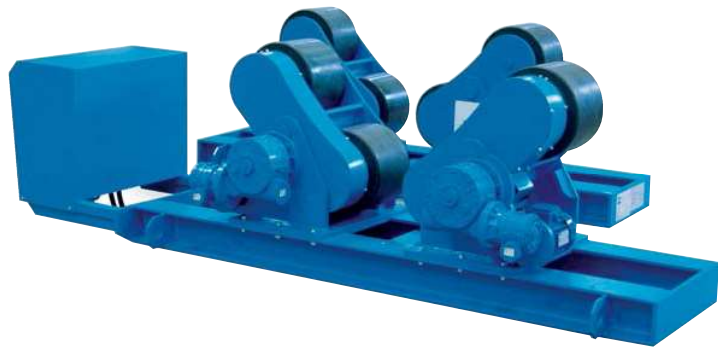
ROTAMATIC: self aligning rotators

12 tons to 250 tons

- in standard: remote pendant, kit auto and display on all versions.

Possible options:

- lorry and railway.



2008-356

Technical specifications:

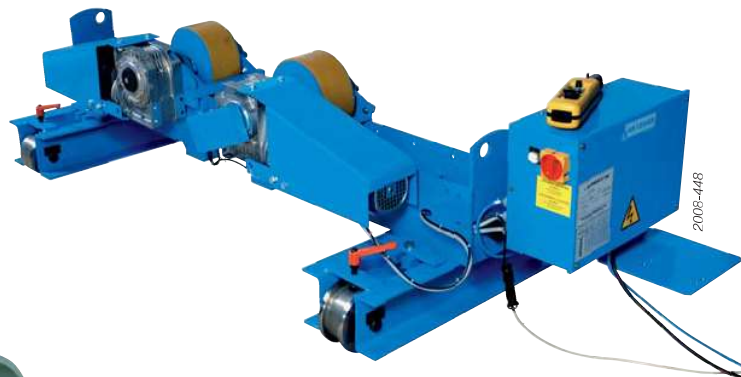
Designation	Load capacity (1 drive + 1 idler) kg	Load capacity per section kg	Mini Shell diameter for 1/2 load mm	Shell diameter for maximum load mm	Peripheral speed cm/min	Wheel dimension OD x width mm	Wheel material
LP12-2R	12000	6000	500 to 1500	1500 to 4000	10 to 100 or 10 to 200	Ø 300 x 220	Rubber
LP20-2R	20000	10000	500 to 1500	1500 to 4000	10 to 100 or 10 to 200	Ø 350 x 300	Rubber
LP30-2R	30000	15000	500 to 1500	1500 to 4500	10 to 100 or 8 to 160	Ø 400 x 300	Rubber
LP42-2R	42000	21000	500 to 1500	1500 to 5000	10 to 100 or 9 to 180	Ø 400 x 400	Rubber
LP55-2R	55000	27500	800 to 1800	1800 to 5000	10 to 100 or 9 to 180	Ø 500 x 230	Rubber
LP70-2R	70000	35000	800 to 1800	1800 to 6000	10 to 100 or 9 to 180	Ø 500 x 400	Rubber
LP100-2R	100000	50000	600 to 1500	1500 to 6000	10 to 100 or 8 to 160	Ø 420 x 300	Polyurethane
LP160-2R	160000	80000	1000 to 1500	1500 to 6000	10 to 100 or 8 to 160	Ø 460 x 300	Polyurethane
LP200-2R	200000	100000	1000 to 1500	1500 to 7000	10 to 100 or 7,5 to 150	Ø 500 x 300	Steel
						Ø 500 x 300	Polyurethane
LP250-2R	250000	125000	1000 to 1500	1500 to 7000	10 to 100 or 7,5 to 150	Ø 500 x 300	Steel
						Ø 550 x 400	Polyurethane

ROTAMATIC options

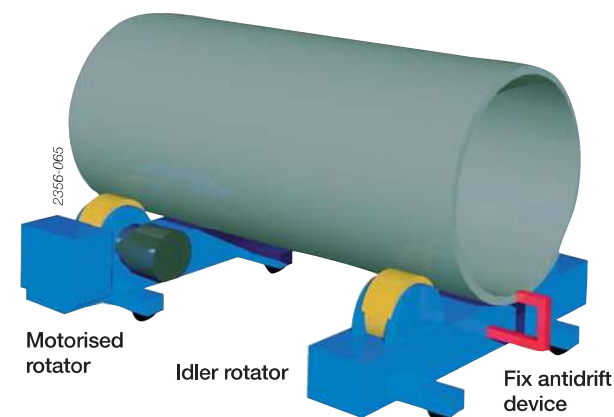
Lorry

The lorry allows to move the rotators with or without the piece.

The idler lorry and the motorised lorry can be mounted on the same line.



2008-448



2008-065

Anti-drift device

The manual anti-drift device allows the piece to turn without twisting.

An automatic solution can be proposed with a PLC which controls the idler roller positions.

Higher capacity rotators on request.